



Lite Series

Features

- 3.6mm Fixed Lens
- 2MP Sony IMX290 Sensor
- Built in highly sensitive mic for audio recording
- High Definition over 2 million pixels 1920(H)x1080(V)
- 3D Digital Noise Reduction and True Wide Dynamic Range
- Records to PC, NAS, and compatible Network Video Recorder
- Built in lightning surge protector (4kv) 10/700µs
- IP66 metal casing for maximum protection
- H.265 Video Compression Encoding

Technical Specification

Camera	
Image Sensor	Sony IMX323
Min. Illumination	Color 0.1 Lux @ F1.2(AGC ON) B/W 0 Lux @ IR ON
Effective Pixels	1920(H)x1080(V)
Shutter Speed	1/3 ~ 1/100,000s
IR Distance	Up to 30M(98ft)
IR LEDs	18pc SMD IR LED
Digital noise reduction	3D DNR
WDR	True WDR 120db
S/N Ratio	>50dB
Pan/Tilt/Rotation	Pan: 0° ~ 360° Tilt: 0° ~ 80° Rotation: 0° ~ 360°
Ingress Protection	IP66

Lens	
Focal Length	3.6mm
Focus Control	Fixed
Aperture	F1.2
Field of View	Horizontal: 88°
	Vertical: 48°
	Diagonal: 118°

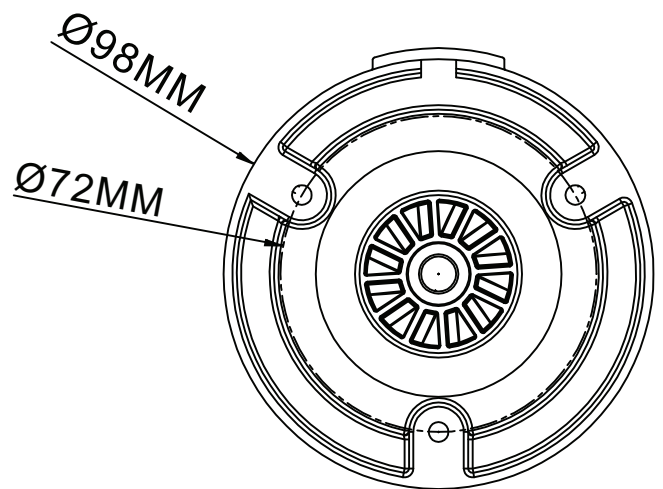
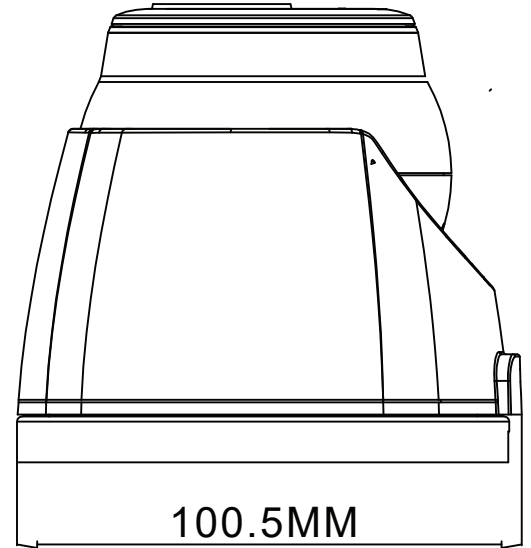
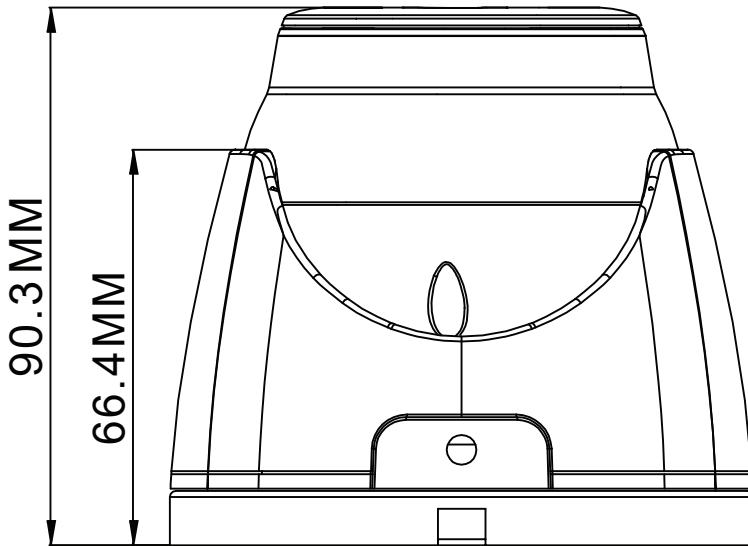
Video	
Video Compression	H.265/H.264/MJPEG
Resolution & Frame Rate	Main Stream: 1080p (1 ~ 30fps)
	Sub Stream: 720p (1 ~ 30fps)
	Third Stream: VGA (1 ~ 30fps)
Image Enhancement	3D DNR, True WDR 120db
Day/Night	IR-cut filter with auto switch
Video Bit Rate	32 Kbps ~ 8 Mbps

Audio	
Audio Interface	Built-in Microphone

Network	
Ethernet	1 RJ45 10M/100M Base-T
Protocols	IPv4, IGMP, ICMP, ARP, TCP, UDP, DHCP, PPPoE, RTP, RTSP, RTCP, DNS, DDNS, NTP, FTP, UPnP, HTTP, HTTPS, SMTP, 802.1x, SNMP
Web Viewer	IE, Chrome, Firefox, Safari
Smart Phone	IOS, Android

Electrical	
Power Supply	12V DC ±10%
Power Consumption	Max 9W (IR on)

Construction	
Casing	Metal
Dimensions	Φ100.5mm×90.3mm
Camera Weight	0.358kg

Dimensions

Represented by:

Celtech Security Sdn Bhd

No 41, Jalan SP 2/1, Serdang Perdana,
Seri Kembangan, 43000 Selangor.

Email: thomas@celtech.com.my

*Product specifications and availability are subject to change without notice.