



Professional Series

Features

- 2.8mm ~ 12mm motorized varifocal lens
- Vandal proof IK10 rated protective casing
- 5MP Sony Starlight IMX335 Sensor with 30fps
- Professional Series with Advanced AI Functions
- High Definition over 5 million pixels 2592(H)x1944(V)
- 3D Digital Noise Reduction and True Wide Dynamic Range
- Records to PC, NAS, and compatible Network Video Recorder
- Built in lightning surge protector (4kv) 10/700µs
- Enhanced H.265 Video Compression Encoding
- IP67 metal casing for maximum protection

Technical Specification

Camera	
Image Sensor	Sony STARVIS IMX335
Min. Illumination	Color 0.1 Lux @ F1.2(AGC ON) B/W 0 Lux @ IR ON
Effective Pixels	2592(H)x1944(V)
Shutter Speed	1/3 ~ 1/100,000s
IR Distance	Up to 40M(131ft)
IR LEDs	30pcs SMD IR LEDs
Digital noise reduction	3D DNR
WDR	True WDR 120db
S/N Ratio	>50dB
Pan/Tilt/Rotation	Pan: 0° ~ 360° Tilt: 0° ~ 90° Rotation: 0° ~ 360°
Ingress Protection	IP67

Lens	
Focal Length	2.8mm ~ 12mm
Focus Control	Manual, Motorized
Aperture	F1.2
Field of View	Horizontal: 98° ~ 28°
	Vertical: 51° ~ 16°
	Diagonal: 115° ~ 32°

Video	
Video Compression	H.265/H.264/MJPEG
Resolution & Frame Rate	Main Stream: 5MP (1 ~ 30fps)
	Sub Stream: 720p (1 ~ 30fps)
	Third Stream: VGA (1 ~ 30fps)
Image Enhancement	3D DNR, True WDR 120db
Day/Night	IR-cut filter with auto switch
Video Bit Rate	32 Kbps ~ 8 Mbps

Audio	
Compression	N/A

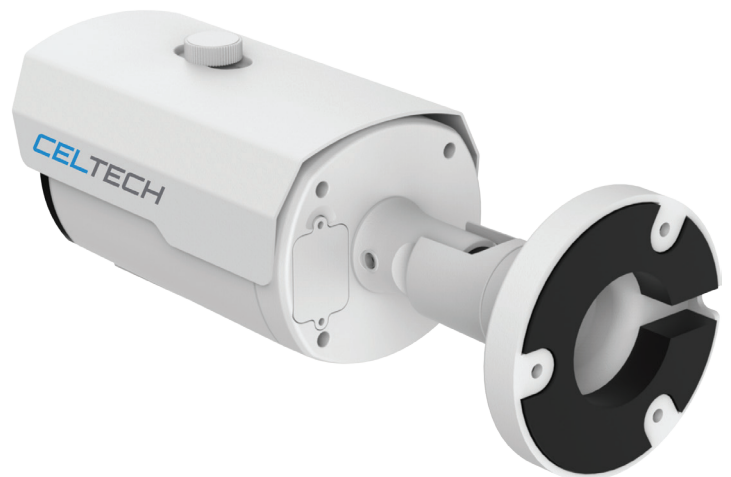
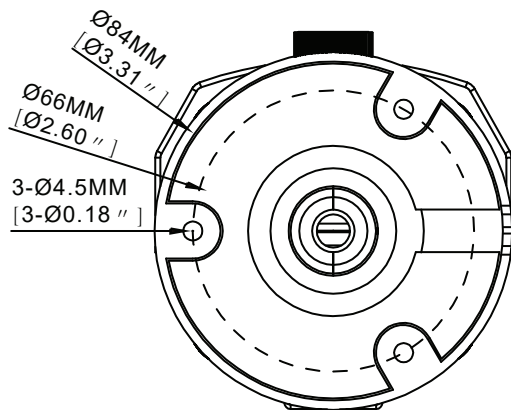
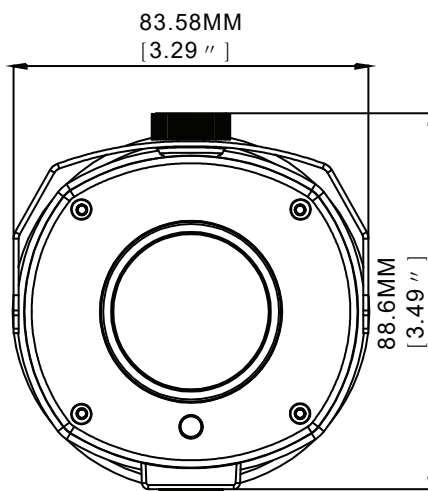
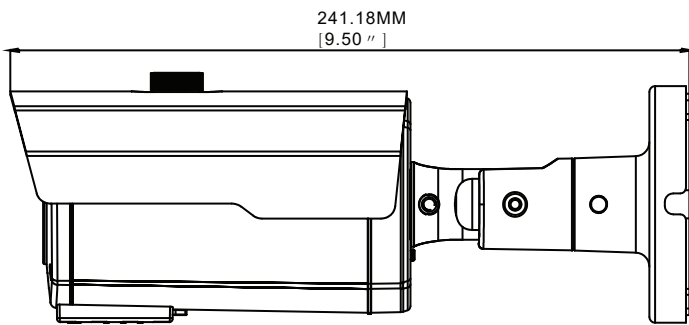
AI Functions	
PID	Perimeter Intrusion Detection
LCD	Line Crossing Detection
SOD	Stationary Object Detection
PD	Pedestrian Detection
FD	Face Detection
CC	Cross Counting

Network	
Interoperability	ONVIF
Ethernet	1 RJ45 10M/100M Base-T
Protocols	IPv4, IGMP, ICMP, ARP, TCP, UDP, DHCP, PPPoE, RTP, RTSP, RTCP, DNS, DDNS, NTP, FTP, UPnP, HTTP, HTTPS, SMTP, 802.1x, SNMP
Web Viewer	IE, Chrome, Firefox, Safari
Smart Phone	IOS, Android

Electrical	
Power Supply	12V DC ±10%
Power Consumption	Max 13W (IR on)

Construction	
Casing	Metal
Dimensions	241mm(L)×84mm(W)×89mm(H)
Camera Weight	0.805kg

Dimensions



Represented by:

Celtech Security Sdn Bhd

No 41, Jalan SP 2/1, Serdang Perdana,
Seri Kembangan, 43000 Selangor.

Email: thomas@celtech.com.my

*Product specifications and availability are subject to change without notice.