



Professional Series

Features

- 2mm fixed lens with 360° view
- 4K Sony IMX226 Sensor with 15fps
- High Definition over 9 million pixels 3000(H)x3000(V)
- 3D Digital Noise Reduction and True Wide Dynamic Range
- Records to PC, NAS, and compatible Network Video Recorder
- Built in lightning surge protector (4kv) 10/700μs
- Enhanced H.265 Video Compression Encoding
- IP67 metal casing for maximum protection

Technical Specification

Camera	
Image Sensor	Sony IMX326
Min. Illumination	Color 0.01 Lux @ F2.4(AGC ON) B/W 0 Lux @ IR ON
Effective Pixels	3000(H)x3000(V)
Shutter Speed	1/5 ~ 1/20,000s
IR Distance	Up to 20M(65ft)
IR LEDs	3pcs SMD IR LEDs
Digital noise reduction	3D DNR
WDR	True WDR 120db
S/N Ratio	>50dB
Pan/Tilt/Rotation	Pan: 0° ~ 360° Tilt: 0° ~ 360° Rotation: 0° ~ 360°
Ingress Protection	IP67

Lens	
Focal Length	2mm
Focus Control	Manual
Aperture	F1.2
Field of View	Horizontal: 180°
	Vertical: 180°
	Diagonal: 180°

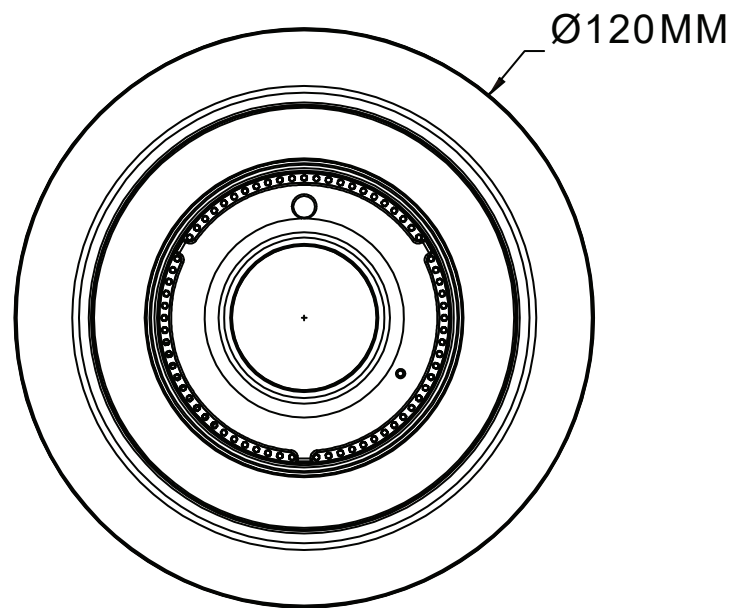
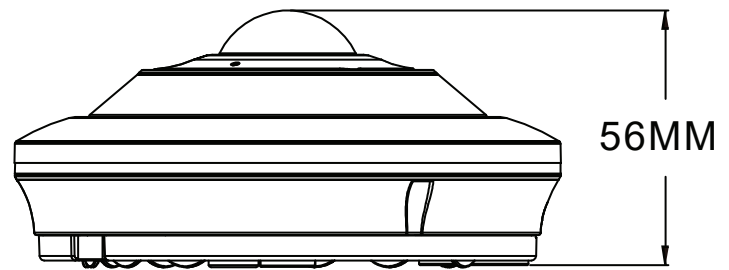
Video	
Video Compression	H.265/H.264/MJPEG
Resolution & Frame Rate	Main Stream: 9MP (1 ~ 15fps)
	Sub Stream: 2MP (1 ~ 15fps)
	Third Stream: VGA (1 ~ 15fps)
Image Enhancement	3D DNR, True WDR 120db
Day/Night	IR-cut filter with auto switch
Video Bit Rate	32 Kbps ~ 8 Mbps

Audio	
Compression	1 input, 1 output

Network	
Interoperability	ONVIF
Ethernet	1 RJ45 10M/100M Base-T
Protocols	IPv4, IGMP, ICMP, ARP, TCP, UDP, DHCP, PPPoE, RTP, RTSP, RTCP, DNS, DDNS, NTP, FTP, UPnP, HTTP, HTTPS, SMTP, 802.1x, SNMP
Web Viewer	IE, Chrome, Firefox, Safari
Smart Phone	IOS, Android

Electrical	
Power Supply	12V DC ±10%
Power Consumption	Max 7.3W (IR on)

Construction	
Casing	Metal
Dimensions	Φ120mm×56mm
Camera Weight	0.406kg

Dimensions

Represented by:

Celtech Security Sdn Bhd

No 41, Jalan SP 2/1, Serdang Perdana,
Seri Kembangan, 43000 Selangor.

Email: thomas@celtech.com.my

*Product specifications and availability are subject to change without notice.