



Professional Series

## Features

- 4K 8MP Sony IMX274 Sensor
- 2.8mm ~ 12mm motorized varifocal lens
- Vandal proof IK10 rated protective casing
- Professional Series with Advanced AI Functions
- High Definition over 8 million pixels 3840(H)x2160(V)
- 3D Digital Noise Reduction and True Wide Dynamic Range
- Records to PC, NAS, and compatible Network Video Recorder
- Built in lightning surge protector (4kv) 10/700 $\mu$ s
- Enhanced H.265 Video Compression Encoding
- IP67 metal casing for maximum protection

## Technical Specification

| Camera                         |   |
|--------------------------------|---|
| <b>Image Sensor</b>            | Sony CMOS IMX 274                                       |
| <b>Min. Illumination</b>       | Color 0.1 Lux @ F1.2(AGC ON)<br>B/W 0 Lux @ IR ON       |
| <b>Effective Pixels</b>        | 3840(H)x2160(V)   |
| <b>Shutter Speed</b>           | 1/3 ~ 1/100,000s  |
| <b>IR Distance</b>             | Up to 40M(131ft)  |
| <b>IR LEDs</b>                 | 40pcs SMD IR LEDs                                       |
| <b>Digital noise reduction</b> | 3D DNR  |
| <b>WDR</b>                     | 3D WDR  |
| <b>S/N Ratio</b>               | >50dB   |
| <b>Pan/Tilt/Rotation</b>       | Pan: 0° ~ 360°<br>Tilt: 0° ~ 90°<br>Rotation: 0° ~ 360° |
| <b>Ingress Protection</b>      | IP67  |

| Lens                 |                            |
|----------------------|----------------------------|
| <b>Focal Length</b>  | 2.8mm ~ 12mm               |
| <b>Focus Control</b> | Motorized(-MV) ,Manual(-V) |
| <b>Aperture</b>      | F1.2                       |
| <b>Field of View</b> | Horizontal: 98° ~ 28°      |
|                      | Vertical: 51° ~ 16°        |
|                      | Diagonal: 115° ~ 32°       |

| Video                              |                                |
|------------------------------------|--------------------------------|
| <b>Video Compression</b>           | H.265/H.264/MJPEG              |
| <b>Resolution &amp; Frame Rate</b> | Main Stream: 8MP (1 ~ 30fps)   |
|                                    | Sub Stream: 720p (1 ~ 30fps)   |
|                                    | Third Stream: VGA (1 ~ 30fps)  |
| <b>Image Enhancement</b>           | 3D DNR, 3D WDR                 |
| <b>Day/Night</b>                   | IR-cut filter with auto switch |
| <b>Video Bit Rate</b>              | 32 Kbps ~ 8 Mbps               |

| Audio              |     |
|--------------------|-----|
| <b>Compression</b> | N/A |

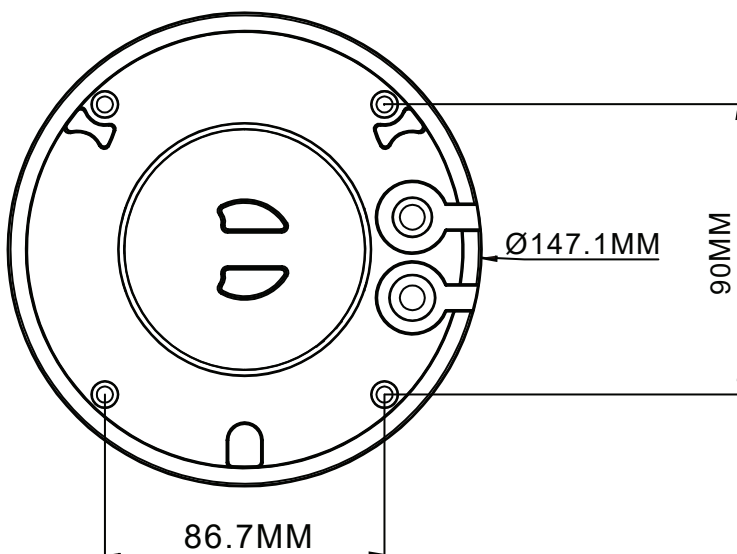
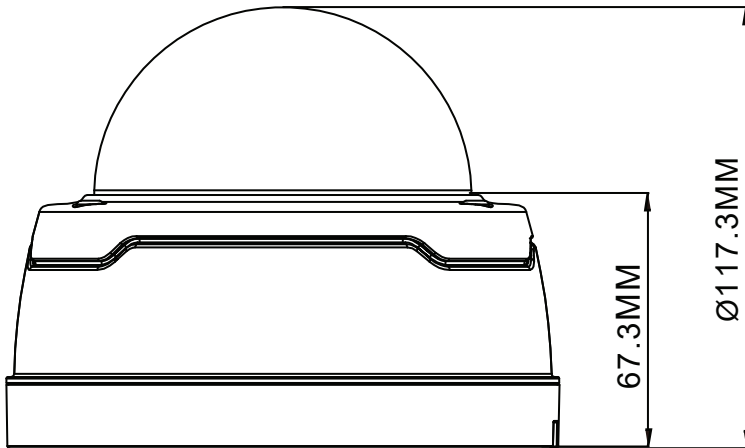
| AI Functions |                               |
|--------------|-------------------------------|
| <b>PID</b>   | Perimeter Intrusion Detection |
| <b>LCD</b>   | Line Crossing Detection       |
| <b>SOD</b>   | Stationary Object Detection   |
| <b>PD</b>    | Pedestrian Detection          |
| <b>FD</b>    | Face Detection                |
| <b>CC</b>    | Cross Counting                |

| Network                 |   |
|-------------------------|---|
| <b>Interoperability</b> | ONVIF   |
| <b>Ethernet</b>         | 1 RJ45 10M/100M Base-T  |
| <b>Protocols</b>        | IPv4, IGMP, ICMP, ARP, TCP, UDP, DHCP, PPPoE, RTP, RTSP, RTCP, DNS, DDNS, NTP, FTP, UPnP, HTTP, HTTPS, SMTP, 802.1x, SNMP |
| <b>Web Viewer</b>       | IE, Chrome, Firefox, Safari   |
| <b>Smart Phone</b>      | IOS, Android  |

| Electrical               |                |
|--------------------------|----------------|
| <b>Power Supply</b>      | 12V DC ±10%    |
| <b>Power Consumption</b> | Max 7W (IR on) |

| Construction         |                  |
|----------------------|------------------|
| <b>Casing</b>        | Metal            |
| <b>Dimensions</b>    | Ø147.1mmx117.3mm |
| <b>Camera Weight</b> | 0.705kg          |

## Dimensions



Represented by:

### **Celtech Security Sdn Bhd**

No 41, Jalan SP 2/1, Serdang Perdana,  
Seri Kembangan, 43000 Selangor.

Email: [thomas@celtech.com.my](mailto:thomas@celtech.com.my)

\*Product specifications and availability are subject to change without notice.