

[www.celtech.com.my](http://www.celtech.com.my)



**Tamer & Dismantle Alarm**



**Built-in Doorbell**



**Wifi**

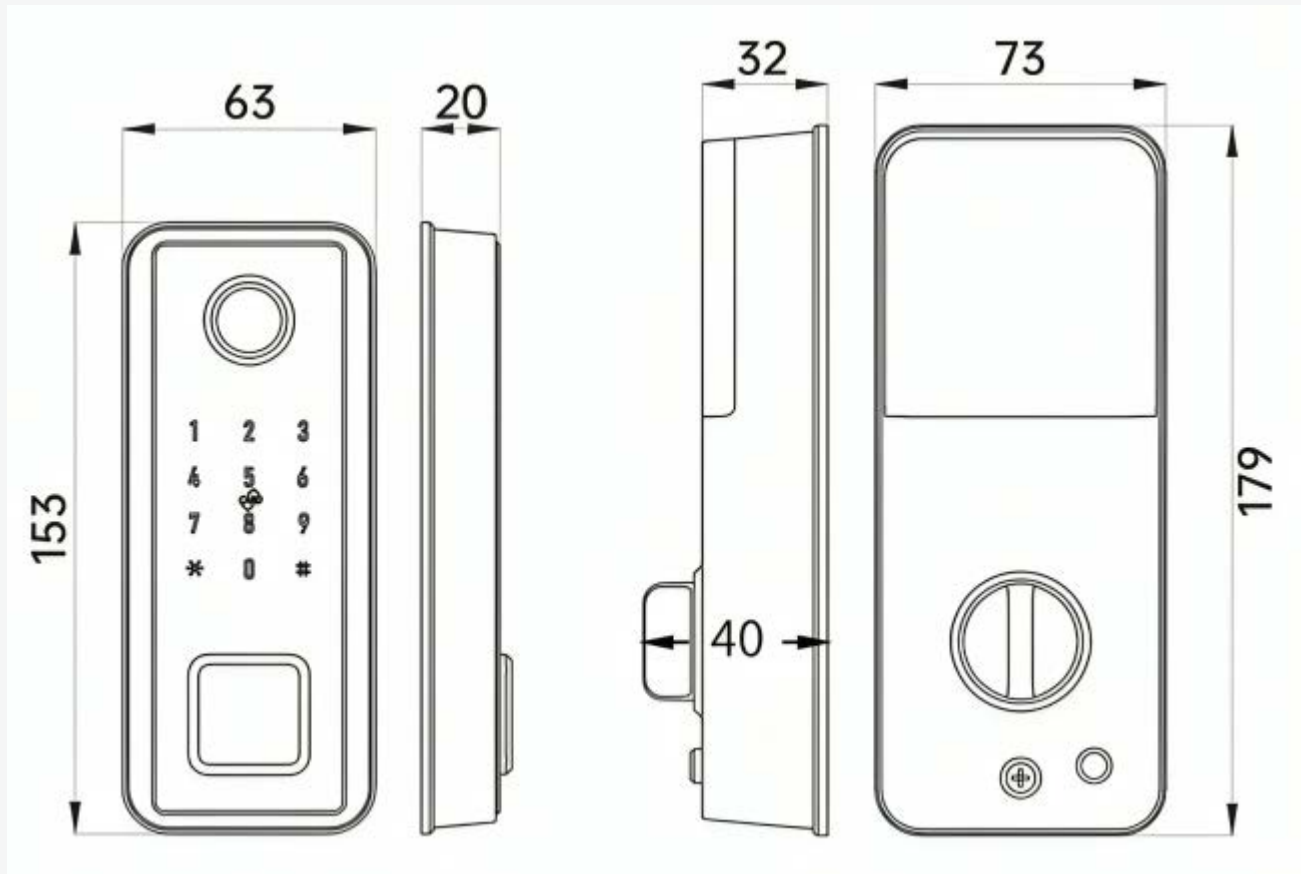
Smart Home Series

## Celtech Smart Doorlock

### Security starts at your front door

Our smart doorlock gives you a peace of mind by letting you monitor who goes in and out of your home while you're away. You can also set temporary passcodes for visitors, or even remotely unlock your door to let someone in.

Our doorlock comes with 128bit-AES Encryption to prevent hackers from entering your home.



Model	CSW-DG
Access Methods	Fingerprint, PIN, Card, App, Key, Temporary Password
Capacity	50 Fingerprints, 300 PIN, 200 Cards
Door Thickness	Supports 35 ~ 45mm
Mortise	Grade 1 Heavy Duty C-Class SUS304 Stainless Steel
Network Protocol	IEEE 802.11 b/n/g 2.4G Hz, GSM
Encryption	128bit-AES Encryption
Security Features	Dual Verification, Fake PIN, History Log, Wrong PIN Lockout, Auto Locking
Remote Unlock	App Unlock, One-Time Passcode
Body Material	Alluminium Alloy + IML
Power Supply	4 x AA Batteries
Battery Life	Up to 12 Months
No Battery Opening	Key, Type C Jumpstart
Dimensions	73 x 40 x 179mm (LWH)